



LIQUID LEAK DETECTION SYSTEMS  
CONSTRUCTION DIVISION

# FG-ECP-M

Point Sensor

Product Datasheet



- ▶ Compatible with Digital Systems
- ▶ Immediate Leak Detection
- ▶ Instant Acknowledgment
- ▶ IP68 Protection Marking

## Description

The FG-ECP-M is a Point Sensor for water leak detection equipped with two stainless steel probes. It is designed and ideally suited for high humidity environments or for zones where leaks are frequent. With its ingenious design of two probes being separated by 0.78 inches, it offers particularly good resistance to the false alarms caused by the humidity, at the same time, it triggers simultaneously an alarm when both probes are in the contact with leaking water. It is designed to be used with TTK Digital Units FG-SYS or FG-NET to give instant detection of liquid leaks. In the event of a liquid leak on the FG-ECP-M, the digital unit will respond as follows:

- An audible alarm is triggered and a relay is activated.
- The location of the leak (address of the FG-ECP-M) and details of the fault (the type of alarm: leak or cable break) are displayed on the screen.
- The event report is sent to the BMS via MODBUS /JBUS protocol.

## Features & Benefits

### FEATURES

- Up to 40 FG-ECP-M can be connected to one circuit of the digital unit.
- The digital communication is made with a length of TTK bus 8723 connected to various FG-ECP-M and the digital unit.
- PG7 glands on the box sides make jumper cabling quick and easy.
- IP 68 protection marking. FG-ECP-M is protected against dust and water.

### BENEFITS

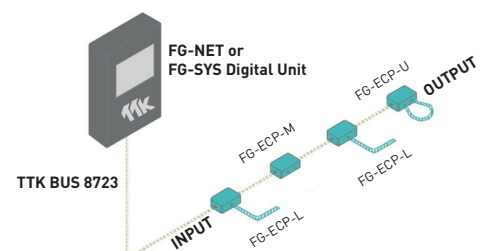
- The FG-ECP-M point sensor quickly detects a liquid leak as soon as it creates contact between the two probes.
- The FG-ECP-M point sensor checks the correct functioning of the probes and warns in case of malfunction.
- The stainless steel probes design offers very good resistance to false alarm in high humidity environment.
- The FG-ECP-M is small and light. It is ideally suited for environments as plantrooms, bundled areas, drip trays, etc. (It is strongly recommended to avoid direct contact between the probes and the metal surface.)
- A simple bi-annual test is all that is required.

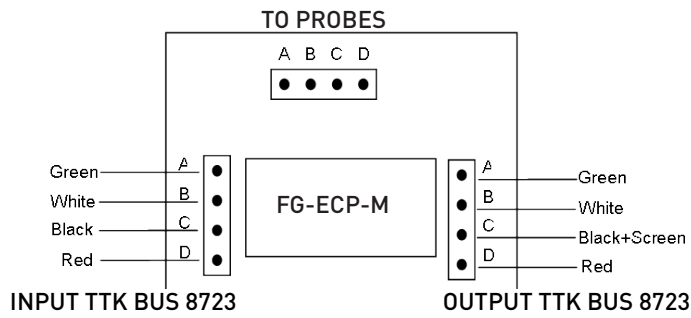
## Technical Data

<b>Compatibility</b>	Digital units: FG-SYS, FG-NET, FG-BBOX
<b>Enclosure</b>	ABS flame retardant UL94V0
<b>Operating Temperature</b>	32° to 122° F (0° to 50°C)
<b>Stainless Steel Probes Diameter</b>	Ø 0.78 inches
<b>Protection Rating</b>	IP 68
<b>FG-ECP-M Colour</b>	Blue
<b>Dimensions (W,H,D)</b>	4.13'W x 2.95'H x 2.17'D (105mm x 75mm x 55mm)

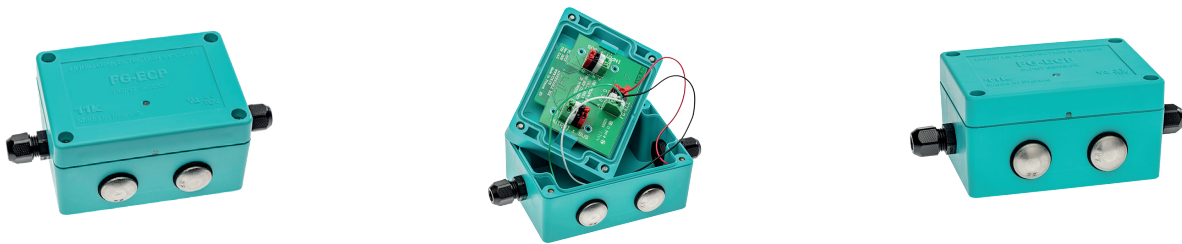
## Connection Schematic

- The FG-ECP-M and two other models: sense cable in U-shape and L-shape can be mixed in one circuit.
- The FG-ECP-M can also be installed in the same circuit with digital water / acid sense cables.
- Maximum: 40 FG-ECP-M (or other models: U/L) (40 addresses) connected to one circuit of the digital unit.
- In the schematic, INPUT corresponds to the TTK BUS 8723 cable coming from the Digital Unit; OUTPUT corresponds to the TTK BUS 8723 cable leaving towards the following FG-ECP.
- In the last FG-ECP, a shunt in OUTPUT in the circuit board must be done.





## Product Diagram



## Identification Codes

<b>FG-ECP-M</b>	Point sensor with stainless steel probes
<b>FG-NET</b>	Digital Touchscreen Leak Detection Panel 100-240VAC
<b>FG-SYS</b>	FG-SYS digital unit wall mounted in metal enclosure
<b>FG-BBOX</b>	FG-NET's Satellite Device - 2 Circuits Black Box (wall mounted) 100-240VAC
<b>Accessories:</b>	
<b>TTK BUS 8723</b>	Jumper Cable

## Certificate



All TTK sensing cables are designed as a part of the leak detection system thus included in the approval certification for TTK monitoring panels. FG-NET and FG-SYS systems meet the requirements of all European Standards in EN 50081 and EN 50082 EMC. FG-NET and FG-SYS systems meet the TÜV requirements, according to IEC 61010-1/A2. FG-NET and FG-SYS systems are UL Listed.

This brochure has been carefully prepared to ensure technical accuracy but is only intended for promotional use. TTK cannot guarantee that the information contained herein contains no errors or omissions, and hence does not accept responsibility related to the use of its equipment. TTK maintain its obligations set forth in the Standard Terms and Conditions of Sale and will not, under any circumstances, assume liability for any incidental damages, indirect or consequential, arising from the sale, resale, use or misuse of this product. The purchaser(s) accept their responsibility as the sole judge(s) of the adaptability of the product for the intended use.

FG-NET, FG-SYS and TOPSurveillance are trademarks of TTK S.A.S. © TTK 2024

- **TTK Headquarters** / 19, rue du Général Foy / 75008 Paris / France / T : +33.1.56.76.90.10 / F : +33.1.55.90.62.15 / [www.ttk.fr](http://www.ttk.fr) / [ventes@ttk.fr](mailto:ventes@ttk.fr)
- **TTK UK Ltd.** / 3 Luke Street / London EC2A 4PX / United Kingdom / T : +44 207 729 6002 / F : +44 207 729 6003 / [www.ttkuk.com](http://www.ttkuk.com) / [sales@ttkuk.com](mailto:sales@ttkuk.com)
- **TTK Pte Ltd.** / #09-05, Shenton House, 3 Shenton Way / Singapore 068805 / T : +65.6220.2068 / M : +65.9271.6191 / F : +65-6220.2026 / [www.ttk.sg](http://www.ttk.sg) / [sales@ttk.sg](mailto:sales@ttk.sg)
- **TTK Asia Ltd.** / 2107-2108 Kai Tak Commercial Building / 317 Des Voeux Road Central / Hongkong / T : +852.2858.7128 / F : +852.2858.8428 / [www.ttkasia.com](http://www.ttkasia.com) / [info@ttkasia.com](mailto:info@ttkasia.com)
- **TTK Middle East FZCO** / Building 6EA, Office 510 PO Box 54925 / Dubai Airport Free Zone / UAE / T : +971 4 70 17 553 / M : +971 50 259 66 29 / [www.ttkuk.com](http://www.ttkuk.com) / [cgalliche@ttk.fr](mailto:cgalliche@ttk.fr)
- **TTK Deutschland GmbH** / Berner Strasse 34 / 60437 Frankfurt / Deutschland / T : +49(0)69-95005630 / F : +49(0)69-95005640 / [www.ttk-gmbh.de](http://www.ttk-gmbh.de) / [vertrieb@ttk-gmbh.de](mailto:vertrieb@ttk-gmbh.de)
- **TTK North America Inc** / 1730 St Laurent Boulevard Suite 800 / Ottawa, ON, K1G 5L1 / Canada / T : +1 613 566 5968 / [www.ttkcanada.com](http://www.ttkcanada.com) / [info@ttkcanada.com](mailto:info@ttkcanada.com)